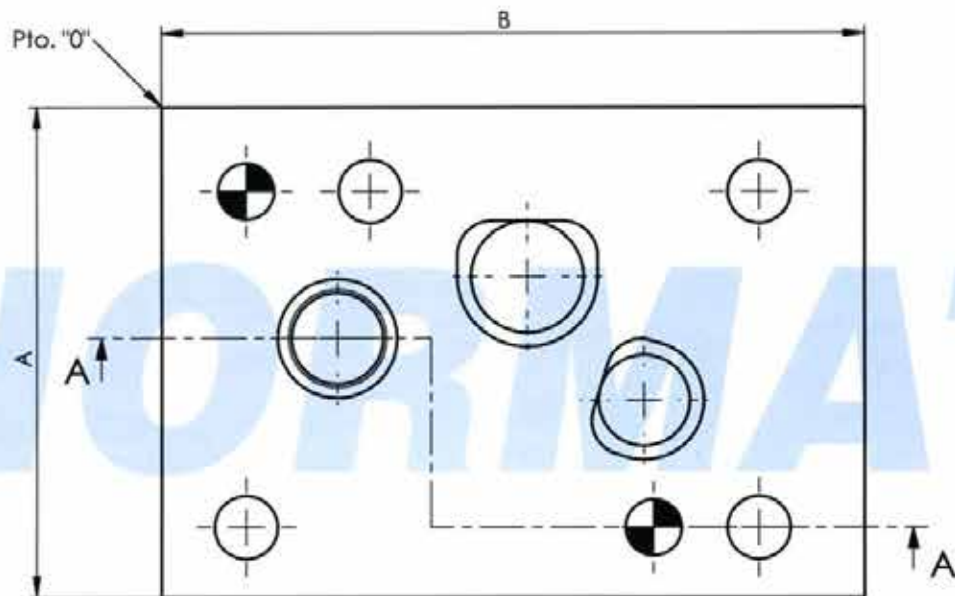
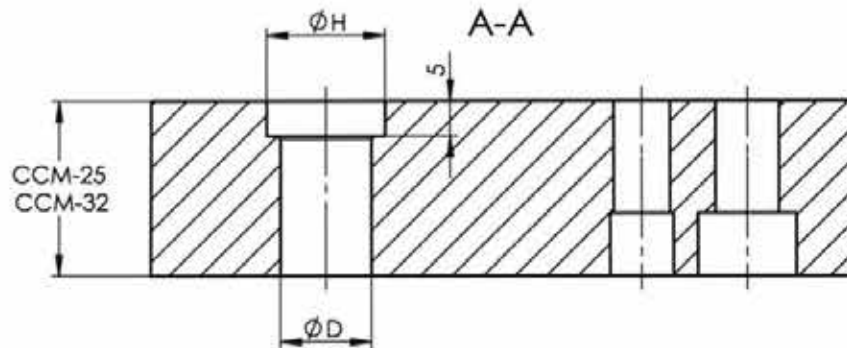


PORTAPUNZON MULTIPOSICION CABEZA CILINDRICA

REF. CCM



| D | H |
|----|----|
| 4 | 8 |
| 5 | 9 |
| 6 | 10 |
| 8 | 12 |
| 10 | 14 |
| 13 | 17 |
| 16 | 20 |
| 20 | 24 |
| 25 | 29 |
| 32 | 36 |

| A | B | | | | | | | | | | | |
|-----|----|----|----|----|-----|-----|-----|-----|-----|-----|-----|-----|
| | 60 | 70 | 80 | 90 | 100 | 125 | 150 | 175 | 200 | 225 | 250 | 300 |
| 50 | * | * | * | * | * | * | * | * | * | * | * | * |
| 60 | * | * | * | * | * | * | * | * | * | * | * | * |
| 70 | | * | * | * | * | * | * | * | * | * | * | * |
| 80 | | | * | * | * | * | * | * | * | * | * | * |
| 100 | | | | | * | * | * | * | * | * | * | * |
| 125 | | | | | | * | * | * | * | * | * | * |
| 150 | | | | | | | * | * | * | * | * | * |
| 200 | | | | | | | | * | * | * | * | * |

Especificar medidas AxB, medidas posición entre punzones pasadores y tornillos.

Tolerancias respecto al punto "0":
 • Pasadores: $\pm 0,01$
 • Punzones: $\pm 0,01$
 • Tornillos: $\pm 0,13$